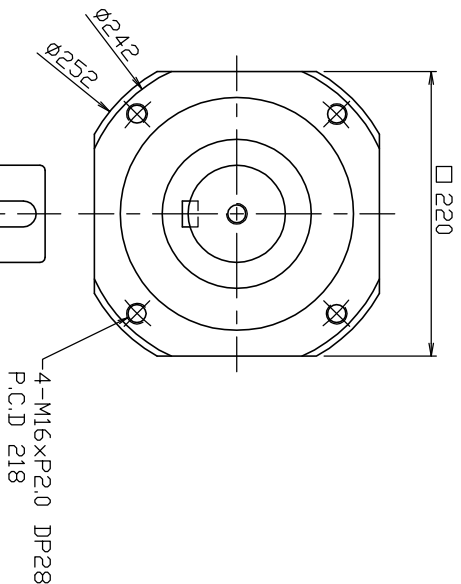
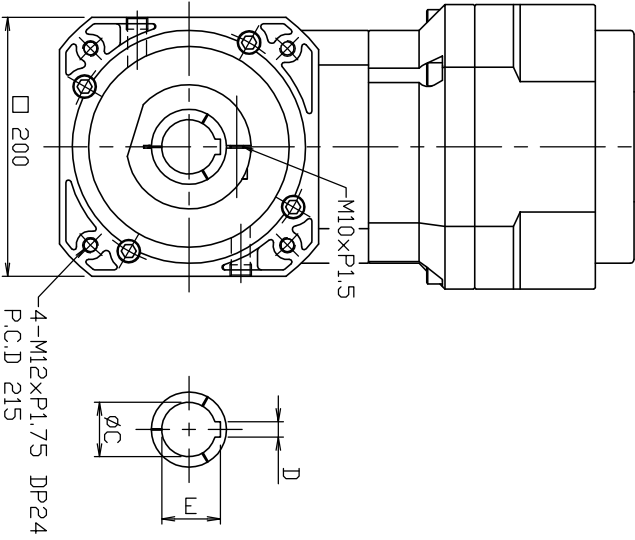


M16xP2.0 DP36

2-PT3/8"



4-M16xP2.0 DP28  
P.C.D 218



4-M12xP1.75 DP24  
P.C.D 215

∅C	D	E
∅38	10	41.3
∅42	12	45.3
∅48	14	51.8
∅55	16	59.3

No	DRAWING NUMBER	DESCRIPTION	MATERIAL	QTY	REMARK

UNIT	mm	DATE	2014.04.01	TITLE	PLANETARY GEARBOX
SCALE	1 / 4 <td>DESIGN</td> <td>H.Y LEE <td>DWG. No</td> <td></td> </td>	DESIGN	H.Y LEE <td>DWG. No</td> <td></td>	DWG. No	
		CHECK		MODEL	KSEL-220-2
		APPROVE		PROJECT	

ATG



3RD ANGLE