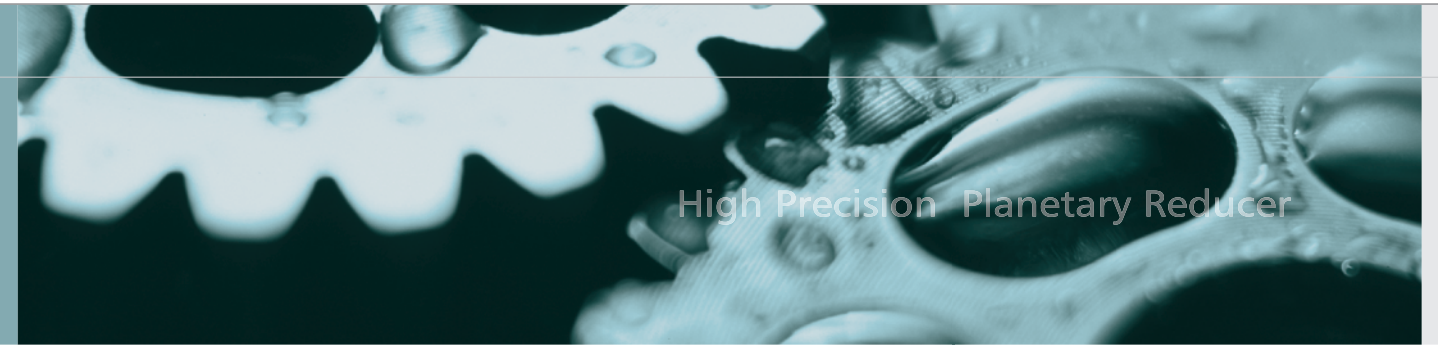
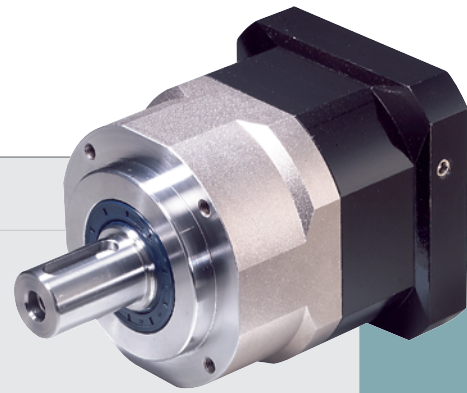


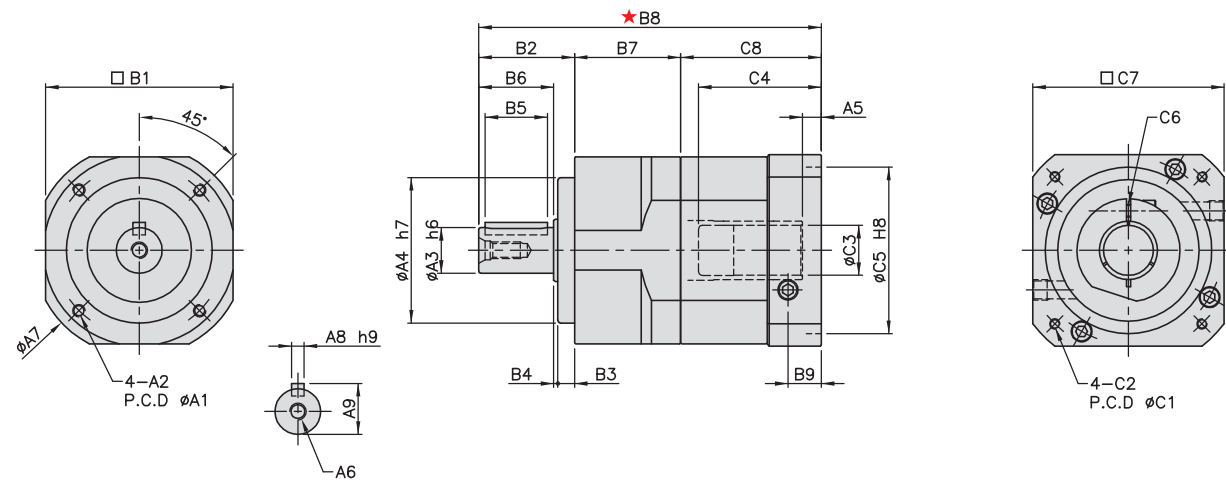
MODEL : KSE

Single Reduction

RATIO : 3.4.5.6.7.8.9.10



High Precision Planetary Reducer



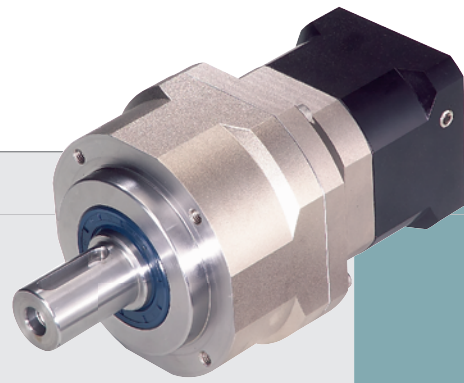
unit:mm

Model code	44	62	90	120	142	180	220
A1	44	62	82	110	140	184	218
A2	M4×P0.7	M5×P0.8	M6×P1.0	M8×P1.25	M10×P1.5	M12×P1.75	M16×P2.0
A3	13	16	22	32	40	55	75
A4	35	50	70	90	120	160	180
A5	5	6	9	10	10	11.35	12.5
A6	M4×P0.7	M5×P0.8	M8×P1.25	M10×P1.5	M12×P1.75	M14×P2.0	M16×P2.0
A7	50	70	102	134	166	215	252
A8	5	5	6	10	12	16	20
A9	15	18	24.5	35	43	59	79.5
B1	44	62	90	120	142	180	220
B2	26	36	46	65	92	106	139
B3	5	7	8	12	15	20	30
B4	1	1	2	3	3	4	5
B5	15	20	30	40	65	70	90
B6	20	28	36	50	74	82	104
B7	31.5	38	51	61	70	85	93
B8	95	115, 123	164.5	205	260.5	323.5	367
B9	9	11.5	16	19.5	20	23.5	23.5
C1	46, 60 63, 70	70 75, 90	70, 90, 100 115, 145, 165	90, 100 115, 145, 165	145, 165 200, 215	200, 215 235, 265, 300	215, 235 265, 300
C2	M4, M5	M4, M5, M6	M6, M8, M10	M6, M8, M10	M8, M12	M12, M16	M12, M16
C3	5, 6.35 8,(11)	6.35, 8, 11 12, 14,(16, 19)	14, 16 19,(22, 24)	19, 22 24,(28, 32)	22, 24, 28 32, 35,(38)	38, 42, 48, 55	42, 48, 55
C4	26	33.5, 41.5	59	67	84.5	114.5	117.5
C5	30, 40, 50	50, 60, 70	50, 70, 80 95, 110, 130	70, 80 95, 110, 130	110, 114.3 130, 180	114.3, 180 200, 230	180, 200 230, 250
C6	M3	M5	M6	M8	M10	M10	M10
C7	46, 55, 60	64, 70, 80	92, 110 130, 142	130, 150	146, 150 180, 190	182, 200 220, 250, 265	220, 250, 265
C8	37.5	41, 49	67.5	79	98.5	132.5	135.5

Mass Moments of Inertia (kg · cm²)

Ratio	44	62	90	120	142	180	220
3	0.03	0.16	0.61	3.25	9.21	28.98	69.61
4	0.03	0.14	0.48	2.74	7.54	23.67	54.37
5	0.03	0.13	0.47	2.71	7.42	23.29	53.27
6	0.03	0.13	0.45	2.65	7.25	22.75	51.72
7	0.03	0.13	0.45	2.62	7.14	22.48	50.97
8	0.03	0.13	0.44	2.58	7.07	22.59	50.84
9	0.03	0.13	0.44	2.57	7.04	22.53	50.63
10	0.03	0.13	0.44	2.57	7.03	22.51	50.56

Model No.	Unit	Ratio	44	62	90	120	142	180	220		
Rated Output Torque	Nm	3	19	59	165	335	625	1206	2030		
		4	16	51	146	300	555	1069	1804		
		5	16	48	160	333	618	1189	2010		
		6	15	45	151	311	583	1118	1911		
		7	15	45	149	309	573	1108	1870		
		8	14	43	143	298	553	1070	1824		
		9	13	44	145	278	516	993	1694		
		10	14	43	141	294	549	1059	1779		
		Max. Output Torque	Nm	3~10	3 Times of Rated Output Torque						
		Rated Input Speed	rpm	3~10	5,000	5,000	4,000	4,000	3,000	3,000	2,000
Max. Input Speed	rpm	3~10	10,000	10,000	8,000	8,000	6,000	6,000	4,000		
Backlash P5	arc min	3~10			≤1	≤1	≤1	≤1	≤1		
Backlash P0	arc min	3~10	≤3	≤3	≤3	≤3	≤3	≤3	≤3		
Backlash P1	arc min	3~10	≤5	≤5	≤5	≤5	≤5	≤5	≤5		
Torsional Rigidity	Nm/arc min	3~10	3	6	14	27	60	140	240		
Max. Radial Load	N	3~10	760	1,180	3,200	6,800	9,300	15,600	51,000		
Max. Axial Load	N	3~10	380	590	1,600	3,400	4,650	7,800	25,500		
Service Life	hr	3~10	20,000 (4,000 / Continuous Operation)								
Efficiency	%	3~10	≥97								
Operating Temperature	°C	3~10	-25°C ~ +90°C								
Lubrication		3~10	VIGO GREASE RE #0								
Degree of Gearbox Protection		3~10	IP65								
Mounting Position		3~10	Any								
Noise Level	dB	3~10	≤56	≤58	≤60	≤63	≤65	≤67	≤70		
Weight ±3%	Kg	3~10	0.51	1.23	3.7	7.5	13.9	28.5	38.6		

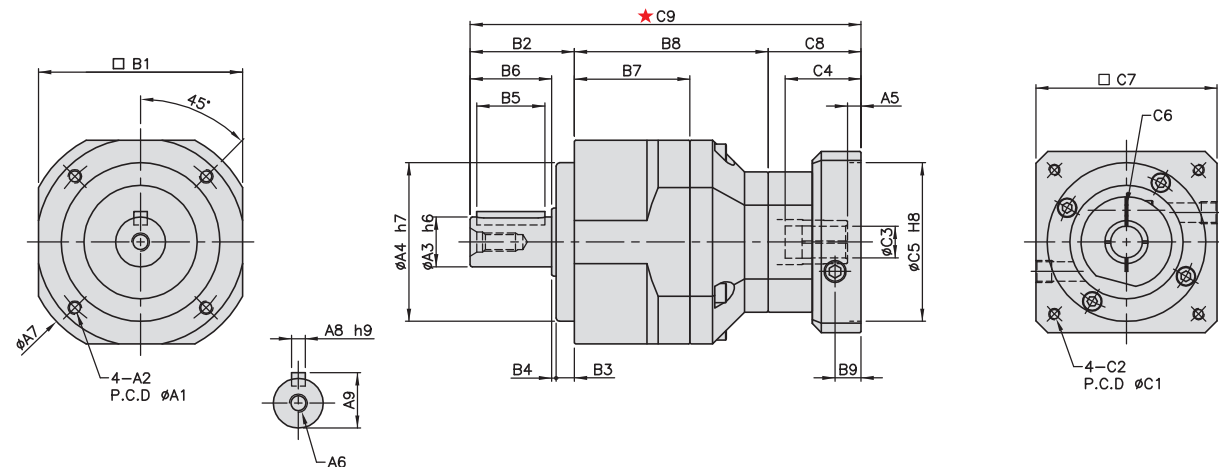


High Precision Planetary Reducer

MODEL : KSE

Double Reduction

RATIO : 15, 20, 25, 30, 35, 40, 50, 60, 70, 80, 90, 100



unit:mm

Model code	62	90	120	142	180	220
A						
A1	62	82	110	140	184	218
A2	M5×P0.8	M6×P1.0	M8×P1.25	M10×P1.5	M12×P1.75	M16×P2.0
A3	16	22	32	40	55	75
A4	50	70	90	120	160	180
A5	5	6	9, 23.5	10, 20	10	11.5
A6	M5×P0.8	M8×P1.25	M10×P1.5	M12×P1.75	M14×P2.0	M16×P2.0
A7	70	102	134	166	215	252
A8	5	6	10	12	16	20
A9	18	24.5	35	43	59	79.5
B						
B1	62	90	120	142	180	220
B2	36	46	65	92	106	139
B3	7	8	12	15	20	30
B4	1	2	3	3	4	5
B5	20	30	40	65	70	90
B6	28	36	50	74	82	104
B7	38	51	61	70	85	93
B8	66	85.5	108.5	127.5	154	175
B9	9	11.5	16	19.5	20	23.5
C						
C1	46, 60, 63, 70	70, 75, 90	70, 90, 100 115, 145, 165	90, 100 115, 145, 165	145, 165 200, 215	200, 215 235, 265, 300
C2	M4, M5	M4, M5, M6	M6, M8, M10	M6, M8, M10	M8, M12	M12, M16
C3	5, 6.35, 8,(11)	6.35, 8, 11 12, 14,(16, 19)	14, 16 19,(22, 24)	19, 22 24,(28, 32)	22, 24, 28 32, 35,(38)	38, 42, 48, 55
C4	26	33.5, 41.5	59	67	84.5	114.5
C5	30, 40, 50	50, 60, 70	50, 70, 80 95, 110, 130	70, 80 95, 110, 130	110, 114.3 130, 180	114.3, 180 200, 230
C6	M3	M5	M6	M8	M10	M10
C7	46, 55, 60	64, 70, 80	92, 110 130, 142	130, 150	146, 150 180, 190	182, 200 220, 250, 265
C8	37.5	41, 49	67.5, 82	79, 89	98.5	132.5
C9	139.5	172.5, 180.5	241	298.5	358.5	446.5

■ Mass Moments of Inertia (kg · cm²)

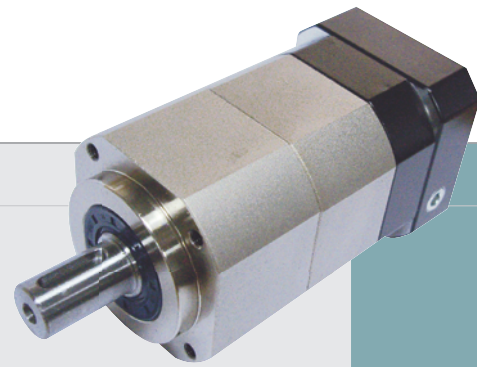
Ratio	62	90	120	142	180	220
15	0.03	0.14	0.46	2.63	7.3	22.79
20	0.03	0.14	0.46	2.63	7.3	22.79
25	0.03	0.14	0.46	2.63	7.1	22.79
30	0.03	0.14	0.46	2.43	7.1	22.59
35	0.03	0.14	0.44	2.43	7.1	22.59
40	0.03	0.14	0.44	2.43	6.92	22.59
50	0.03	0.14	0.44	2.43	6.92	22.59
60	0.03	0.14	0.43	2.39	6.72	21.83
70	0.03	0.14	0.43	2.39	6.72	21.83
80	0.03	0.14	0.43	2.39	6.72	21.83
90	0.03	0.14	0.40	2.39	6.72	21.60
100	0.03	0.14	0.40	2.39	6.72	21.60

Model No.	Unit	Ratio	62	90	120	142	180	220
Rated Output Torque	Nm	15	59	165	335	625	1206	2030
		20	51	146	300	555	1069	1804
		25	48	160	333	618	1189	2010
		30	45	151	311	583	1118	1911
		35	45	149	309	573	1108	1870
		40	43	143	298	553	1070	1824
		50	48	160	333	618	1189	2010
		60	45	151	311	583	1118	1911
		70	45	149	309	573	1108	1870
		80	43	143	298	553	1070	1824
		90	44	145	278	516	993	1694
100	43	141	294	549	1059	1779		
Max. Output Torque	Nm	15~100	3 Times of Rated Output Torque					
Rated Input Speed	rpm	15~100	5,000	4,000	4,000	3,000	3,000	2,000
Max. Input Speed	rpm	15~100	10,000	8,000	8,000	6,000	6,000	4,000
Backlash P5	arc min	15~100			≤3	≤3	≤3	≤3
Backlash P0	arc min	15~100	≤5	≤5	≤5	≤5	≤5	≤5
Backlash P1	arc min	15~100	≤7	≤7	≤7	≤7	≤7	≤7
Torsional Rigidity	Nm/arc min	15~100	6	14	27	60	140	240
Max. Radial Load	N	15~100	1,180	3,200	6,800	9,300	15,600	51,000
Max. Axial Load	N	15~100	590	1,600	3,400	4,650	7,800	25,500
Service Life	hr	15~100	20,000 (4,000 / Continuous Operation)					
Efficiency	%	15~100	≥94%					
Operating Temperature	°C	15~100	-25°C ~ +90°C					
Lubrication		15~100	VIGO GREASE RE #0					
Degree of Gearbox Protection		15~100	IP65					
Mounting Position		15~100	Any					
Noise Level	dB	15~100	≤58	≤60	≤63	≤65	≤67	≤70
Weight ±3%	Kg	15~100	1.62	4.3	8.8	19.5	38.1	53.6

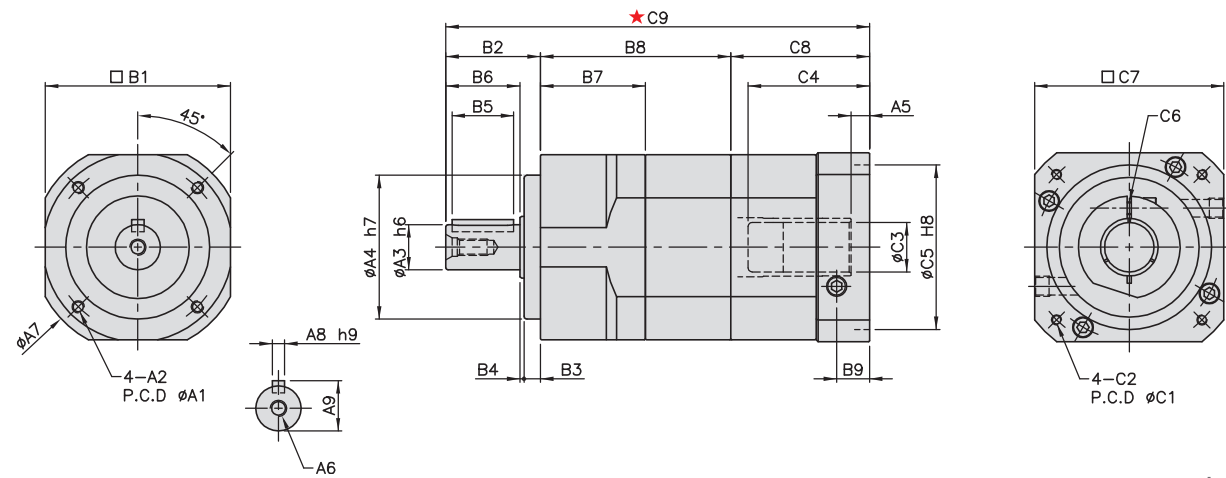
MODEL : KSE-A

Double Reduction

RATIO : 15, 20, 25, 30, 35, 40, 50, 60, 70, 80, 90, 100



High Precision Planetary Reducer



unit:mm

Model code	44A	62A	90A	120A	142A	180A	220A
A							
A1	44	62	82	110	140	184	218
A2	M4×P0.7	M5×P0.8	M6×P1.0	M8×P1.25	M10×P1.5	M12×P1.75	M16×P2.0
A3	13	16	22	32	40	55	75
A4	35	50	70	90	120	160	180
A5	5	6	9, 23.5	10, 20	10	11.5	12.5
A6	M4×P0.7	M5×P0.8	M8×P1.25	M10×P1.5	M12×P1.75	M14×P2.0	M16×P2.0
A7	50	70	102	134	166	215	252
A8	5	5	6	10	12	16	20
A9	15	18	24.5	35	43	59	79.5
B							
B1	44	62	90	120	142	180	220
B2	26	36	46	65	92	106	139
B3	5	7	8	12	15	20	30
B4	1	1	2	3	3	4	5
B5	15	20	30	40	65	70	90
B6	20	28	36	50	74	82	104
B7	31.5	38	51	61	70	85	93
B8	57.5	71.8	94.5	117	136.5	166	186
B9	9	11.5	16, 30.5	19.5, 27.5	20	23.5	23.5
C							
C1	46, 60, 63, 70	70, 75, 90	70, 90, 100 115, 145, 165	90, 100 115, 145, 165	145, 165 200, 215	200, 215 235, 265, 300	215, 235 265, 300
C2	M4, M5	M4, M5, M6	M6, M8, M10	M6, M8, M10	M8, M12	M12, M16	M12, M16
C3	5, 6.35, 8, (11)	6.35, 8, 11 12, 14, (16, 19)	14, 16, 19 (22, 24)	19, 22, 24 (28, 32)	22, 24, 28 32, 35, (38)	38, 42 48, 55	42, 48, 55
C4	26	33.5, 41.5	59	67	84.5	114.5	117.5
C5	30, 40, 50	50, 60, 70	50, 70, 80 95, 110, 130	70, 80 95, 110, 130	110, 114.3 130, 180	114.3, 180 200, 230	180, 200 230, 250
C6	M3	M5	M6	M8	M10	M10	M10
C7	46, 55, 60	64, 70, 80	92, 110 130, 142	130, 150	146, 150 180, 190	182, 200 220, 250, 265	220, 250, 265
C8	37.5	41, 49	67.5	79, 89	98.5	132.5	135.5
C9	121	148.8, 156.8	208	261	327	404.5	460.5

Mass Moments of Inertia (kg · cm²)

Ratio	44A	62A	90A	120A	142A	180A	220A
15	0.03	0.03	0.14	0.46	2.63	7.3	22.79
20	0.03	0.03	0.14	0.46	2.63	7.3	22.79
25	0.03	0.03	0.14	0.46	2.63	7.1	22.79
30	0.03	0.03	0.14	0.46	2.43	7.1	22.59
35	0.03	0.03	0.14	0.44	2.43	7.1	22.59
40	0.03	0.03	0.14	0.44	2.43	6.92	22.59
50	0.03	0.03	0.14	0.44	2.43	6.92	22.59
60	0.03	0.03	0.14	0.43	2.39	6.72	21.83
70	0.03	0.03	0.14	0.43	2.39	6.72	21.83
80	0.03	0.03	0.14	0.43	2.39	6.72	21.83
90	0.03	0.03	0.14	0.40	2.39	6.72	21.60
100	0.03	0.03	0.14	0.40	2.39	6.72	21.60

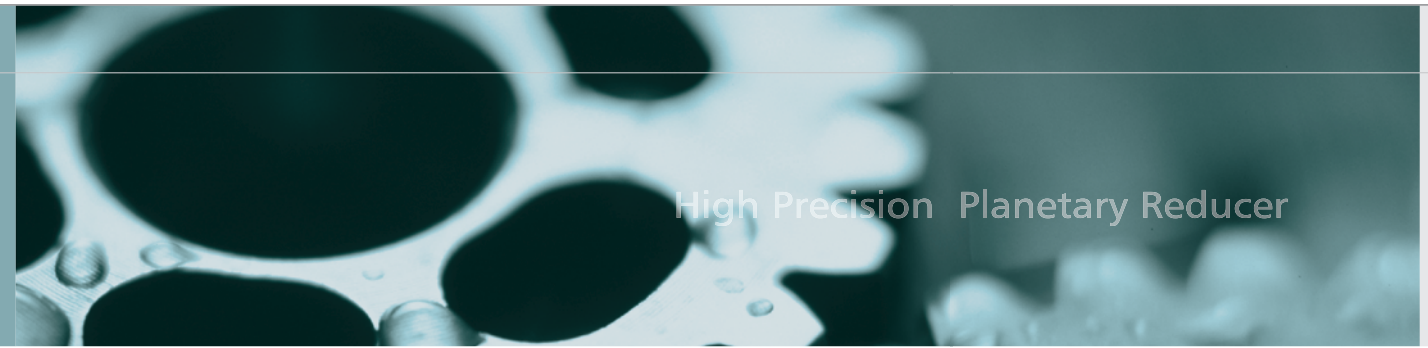
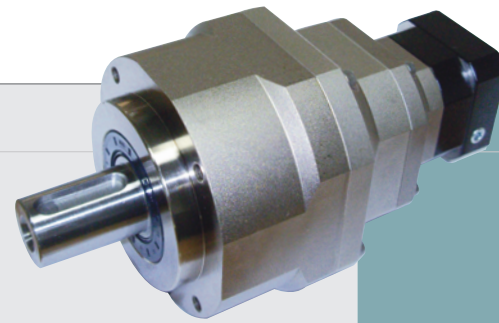
Model No.	Unit	Ratio	44A	62A	90A	120A	142A	180A	220A
Rated Output Torque	Nm	15	19	59	165	335	625	1206	2030
		20	16	51	146	300	555	1069	1804
		25	16	48	160	333	618	1189	2010
		30	15	45	151	311	583	1118	1911
		35	15	45	149	309	573	1108	1870
		40	14	43	143	298	553	1070	1824
		50	16	48	160	333	618	1189	2010
		60	15	45	151	311	583	1118	1911
		70	15	45	149	309	573	1108	1870
		80	14	43	143	298	553	1070	1824
		90	13	44	145	278	516	993	1694
		100	14	43	141	294	549	1059	1779
Max. Output Torque	Nm	15~100	3 Times of Rated Output Torque						
Rated Input Speed	rpm	15~100	5,000	5,000	4,000	4,000	3,000	3,000	2,000
Max. Input Speed	rpm	15~100	10,000	10,000	8,000	8,000	6,000	6,000	4,000
Backlash P5	arc min	15~100	≤4	≤4	≤4	≤4	≤4	≤4	≤4
Backlash P0	arc min	15~100	≤8	≤8	≤8	≤8	≤8	≤8	≤8
Backlash P1	arc min	15~100	≤12	≤12	≤12	≤12	≤12	≤12	≤12
Torsional Rigidity	Nm/arc min	15~100	3	6	14	27	60	140	240
Max. Radial Load	N	15~100	760	1,180	3,200	6,800	9,300	15,600	51,000
Max. Axial Load	N	15~100	380	590	1,600	3,400	4,650	7,800	25,500
Service Life	hr	15~100	20,000 (4,000 / Continuous Operation)						
Efficiency	%	15~100	≥94%						
Operating Temperature	°C	15~100	-25°C ~ +90°C						
Lubrication		15~100	VIGO GREASE RE #0						
Degree of Gearbox Protection		15~100	IP65						
Mounting Position		15~100	Any						
Noise Level	dB	15~100	≤56	≤58	≤60	≤63	≤65	≤67	≤70
Weight ±3%	Kg	15~100	0.7	1.8	5.1	11.8	21.5	41.3	56.8

MODEL : KSE

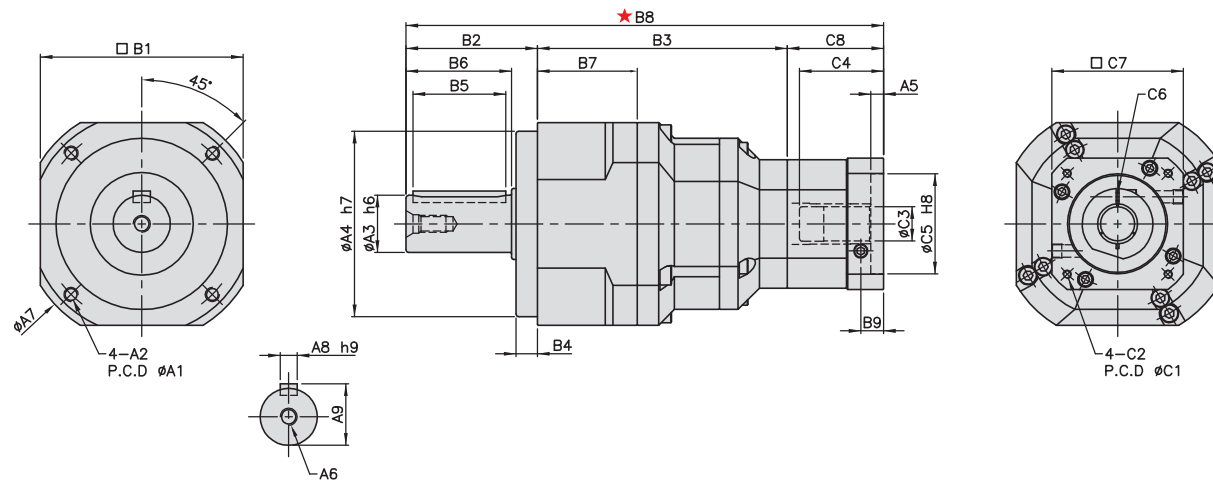
Triple Reduction

RATIO : 125.150.175.200.250.300.350.

400.450.500.600.700.800.900.1000



High Precision Planetary Reducer



unit:mm

Model code	90	120	142	180	220
A1	82	110	140	184	218
A2	M6×P1.0	M8×P1.25	M10×P1.5	M12×P1.75	M16×P2.0
A3	22	32	40	55	75
A4	70	90	120	160	180
A5	5	6	9	10	10
A6	M8×P1.25	M10×P1.5	M12×P1.75	M14×P2.0	M16×P2.0
A7	102	134	166	215	252
A8	6	10	12	16	20
A9	24.5	35	43	59	79.5
B1	90	120	142	180	220
B2	46	65	92	106	139
B3	113.5	143	175	211.5	244
B4	8	12	15	20	30
B5	30	40	65	70	90
B6	36	50	74	82	104
B7	51	61	70	85	93
B8	197	249, 257	334.5	396.5	481.5
B9	9	11.5	16, 30.5	19.5, 27.5	20
C1	46, 60, 63, 70	70, 75, 90	70, 90, 100 115, 145, 165	90, 100 115, 145, 165	145, 165 200, 215
C2	M4, M5	M4, M5, M6	M6, M8, M10	M6, M8, M10	M8, M12
C3	5, 6.35, 8, (11)	6.35, 8, 11 12, 14, (16, 19)	14, 16 19, (22, 24)	19, 22 24, (28, 32)	22, 24, 28 32, 35, (38)
C4	26	33.5, 41.5	59	67	84.5
C5	30, 40, 50	50, 60, 70	50, 70, 80 95, 110, 130	70, 80 95, 110, 130	110, 114.3 130, 180
C6	M3	M5	M6	M8	M10
C7	46, 55, 60	64, 70, 80	92, 110 130, 142	130, 150	146, 150 180, 190
C8	37.5	41, 49	67.5	79	98.5

Mass Moments of Inertia (Kg · cm²)

Ratio	90	120	142	180	220
125	0.01	0.04	0.71	1.42	3.29
150	0.01	0.04	0.51	0.92	2.15
175	0.01	0.04	0.40	0.83	1.26
200	0.01	0.04	0.21	0.65	0.98
250	0.01	0.04	0.11	0.52	0.82
300	0.01	0.04	0.09	0.21	0.82
350	0.01	0.04	0.09	0.21	0.82
400	0.01	0.04	0.09	0.21	0.82
450	0.01	0.04	0.09	0.21	0.51
500	0.01	0.04	0.08	0.12	0.51
600	0.01	0.04	0.08	0.12	0.25
700	0.01	0.04	0.08	0.12	0.25
800	0.01	0.04	0.08	0.12	0.25
900	0.01	0.04	0.08	0.12	0.25
1000	0.01	0.04	0.08	0.12	0.25

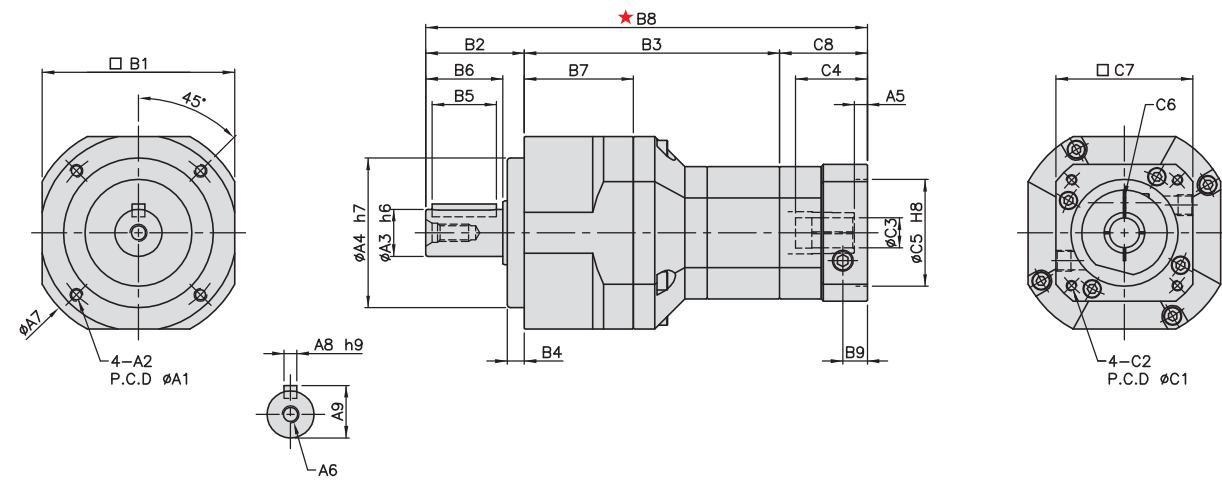
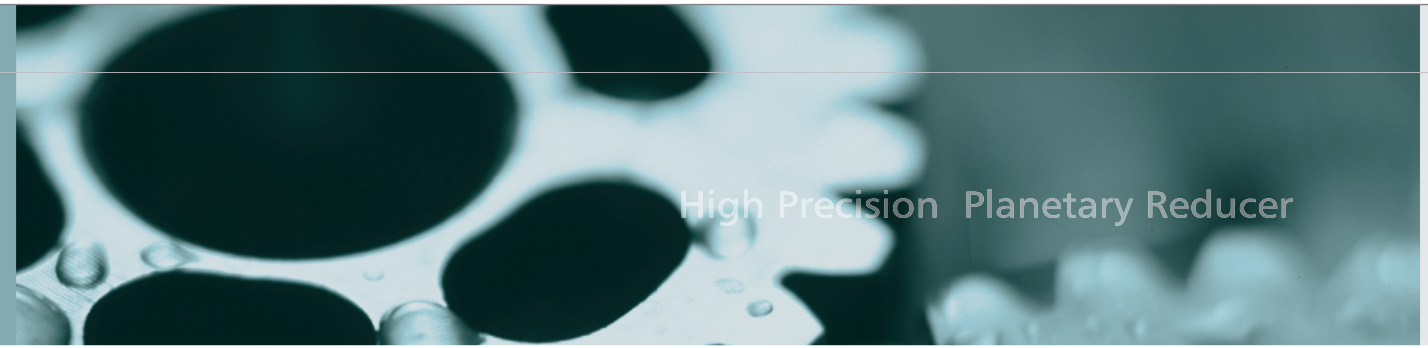
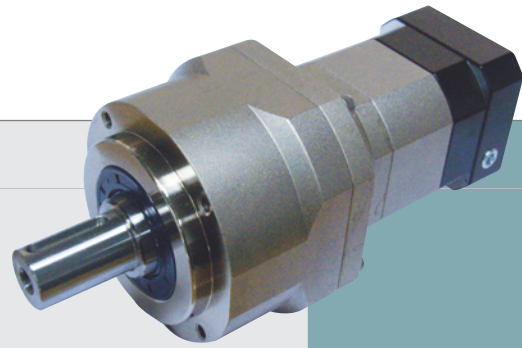
Model No.	Unit	Ratio	90	120	142	180	220
Rated Output Torque	Nm	125	160	333	618	1189	2010
		150	165	335	625	1206	2030
		175	149	309	573	1108	1870
		200	146	300	555	1069	1804
		250	160	333	618	1189	2010
		300	151	311	583	1118	1911
		350	149	309	573	1108	1870
		400	143	298	553	1070	1824
		450	145	278	516	993	1694
		500	160	333	618	1189	2010
		600	151	311	583	1118	1911
		700	149	309	573	1108	1870
Max. Output Torque	Nm	125~1000	3 Times of Rated Output Torque				
Rated Input Speed	rpm	125~1000	4,000	4,000	3,000	3,000	2,000
Max. Input Speed	rpm	125~1000	8,000	8,000	6,000	6,000	4,000
Backlash P5	arc min	125~1000	≤5				
Backlash P0	arc min	125~1000	≤7				
Backlash P1	arc min	125~1000	≤9				
Torsional Rigidity	Nm/arc min	125~1000	14	27	60	140	240
Max. Radial Load	N	125~1000	3,200	6,800	9,300	15,600	51,000
Max. Axial Load	N	125~1000	1,600	3,400	4,650	7,800	25,500
Service Life	hr	125~1000	20,000 (4,000 / Continuous Operation)				
Efficiency	%	125~1000	≥90%				
Operating Temperature	°C	125~1000	-25°C ~ +90°C				
Lubrication		125~1000	VIGO GREASE RE #0				
Degree of Gearbox Protection		125~1000	IP65				
Mounting Position		125~1000	Any				
Noise Level	dB	125~1000	≤60	≤63	≤65	≤67	≤70
Weight ±3%	Kg	125~1000	5.2	12.4	24.5	49.3	78.1

MODEL : KSE-A

Triple Reduction

RATIO : 125.150.175.200.250.300.350.

400.450.500.600.700.800.900.1000



unit:mm

Model code	62A	90A	120A	142A	180A	220A
A1	62	82	110	140	184	218
A2	M5×P0.8	M6×P1.0	M8×P1.25	M10×P1.5	M12×P1.75	M16×P2.0
A3	16	22	32	40	55	75
A4	50	70	90	120	160	180
A5	5	6.5	9, 23.5	10, 20	10	11.5
A6	M5×P0.8	M8×P1.25	M10×P1.5	M12×P1.75	M14×P2.0	M16×P2.0
A7	70	102	134	166	215	252
A8	5	6	10	12	16	20
A9	18	24.5	35	43	59	79.5
B1	62	90	120	142	180	220
B2	36	46	65	92	106	139
B3	92	119.5	152	183.5	220.5	256
B4	7	8	12	15	20	30
B5	20	30	40	65	70	90
B6	28	36	50	74	82	104
B7	38	51	61	70	85	93
B8	165.5	206.5, 214.5	284.5	354.5	425	527.5
B9	9	11.5	16, 30.5	19.5	20	23.5
C1	46, 60, 63, 70	70, 75, 90	70, 90, 100 115, 145, 165	90, 100 115, 145, 165	145, 165 200, 215	200, 215 235, 265, 300
C2	M4, M5	M4, M5, M6	M6, M8, M10	M6, M8, M10	M8, M12	M12, M16
C3	5, 6.35, 8,(11)	6.35, 8, 11 12, 14,(16, 19)	14, 16 19,(22, 24)	19, 22, 24, (28, 32)	22, 24, 28 32, 35,(38)	38, 42, 48, 55
C4	26	33.5, 41.5	59	67	84.5	114.5
C5	30, 40, 50	50, 60, 70	50, 70, 80 95, 110, 130	70, 80 95, 110, 130	110, 114.3 130, 180	114.3, 180 200, 230
C6	M3	M5	M6	M8	M10	M10
C7	46, 55, 60	64, 70, 80	92, 110 130, 142	130, 150	146, 150 180, 190	182, 200 220, 250, 265
C8	37.5	41, 49	67.5	79	98.5	132.5

Mass Moments of Inertia (Kg · cm²)

Ratio	62A	90A	120A	142A	180A	220A
125	0.01	0.01	0.04	0.71	1.42	3.29
150	0.01	0.01	0.04	0.51	0.92	2.15
175	0.01	0.01	0.04	0.40	0.83	1.26
200	0.01	0.01	0.04	0.21	0.65	0.98
250	0.01	0.01	0.04	0.11	0.52	0.82
300	0.01	0.01	0.04	0.09	0.21	0.82
350	0.01	0.01	0.04	0.09	0.21	0.82
400	0.01	0.01	0.04	0.09	0.21	0.82
450	0.01	0.01	0.04	0.09	0.21	0.51
500	0.01	0.01	0.04	0.08	0.12	0.51
600	0.01	0.01	0.04	0.08	0.12	0.25
700	0.01	0.01	0.04	0.08	0.12	0.25
800	0.01	0.01	0.04	0.08	0.12	0.25
900	0.01	0.01	0.04	0.08	0.12	0.25
1000	0.01	0.01	0.04	0.08	0.12	0.25

Model No.	Unit	Ratio	62A	90A	120A	142A	180A	220A
Rated Output Torque	Nm	125	48	160	333	618	1189	2010
		150	59	165	335	625	1206	2030
		175	45	149	309	573	1108	1870
		200	51	146	300	555	1069	1804
		250	48	160	333	618	1189	2010
		300	45	151	311	583	1118	1911
		350	45	149	309	573	1108	1870
		400	43	143	298	553	1070	1824
		450	44	145	278	516	993	1694
		500	48	160	333	618	1189	2010
		600	45	151	311	583	1118	1911
		700	45	149	309	573	1108	1870
		800	43	143	298	553	1070	1824
900	44	145	278	516	993	1694		
1000	43	141	294	549	1059	1779		
Max. Output Torque	Nm	125~1000	3 Times of Rated Output Torque					
Rated Input Speed	rpm	125~1000	5,000	4,000	4,000	3,000	3,000	2,000
Max. Input Speed	rpm	125~1000	10,000	8,000	8,000	6,000	6,000	4,000
Backlash P5	arc min	125~1000			≤ 5	≤ 5	≤ 5	≤ 5
Backlash P0	arc min	125~1000	≤ 7	≤ 7	≤ 7	≤ 7	≤ 7	≤ 7
Backlash P1	arc min	125~1000	≤ 9	≤ 9	≤ 9	≤ 9	≤ 9	≤ 9
Torsional Rigidity	Nm/arc min	125~1000	6	14	27	60	140	240
Max. Radial Load	N	125~1000	1,180	3,200	6,800	9,300	15,600	51,000
Max. Axial Load	N	125~1000	590	1,600	3,400	4,650	7,800	25,500
Service Life	hr	125~1000	20,000 (4,000 / Continuous Operation)					
Efficiency	%	125~1000	≥ 90%					
Operating Temperature	°C	125~1000	-25°C ~ +90°C					
Lubrication		125~1000	VIGO GREASE RE #0					
Degree of Gearbox Protection		125~1000	IP65					
Mounting Position		125~1000	Any					
Noise Level	dB	125~1000	≤ 58	≤ 60	≤ 63	≤ 65	≤ 67	≤ 70
Weight ± 3%	Kg	125~1000	1.91	5.3	12.5	25	51.5	81.2